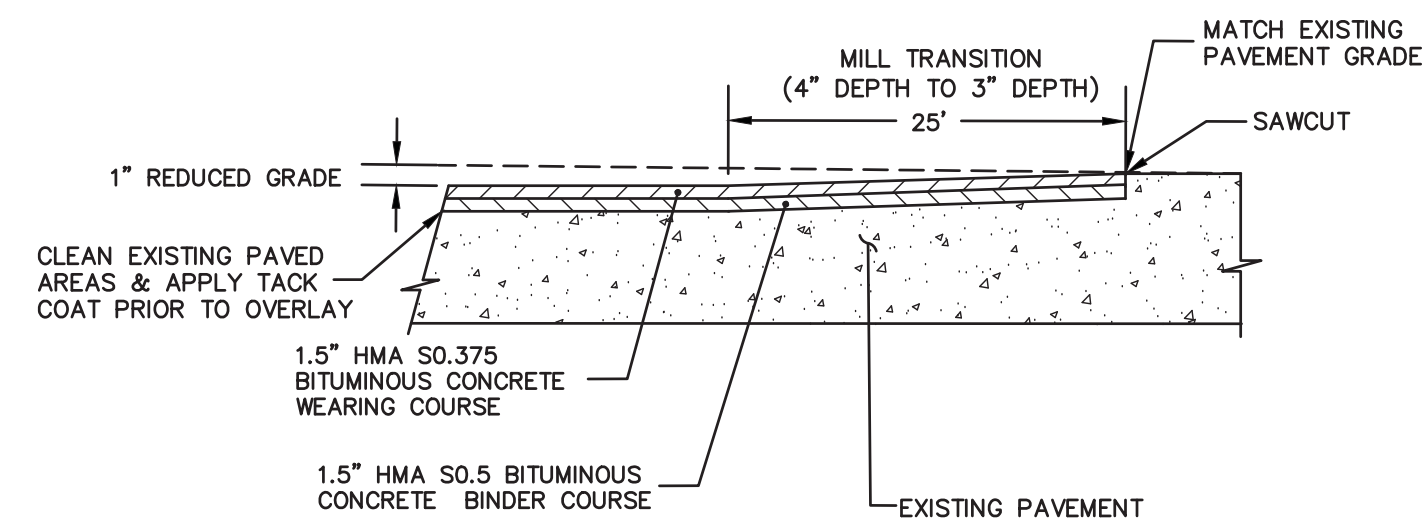


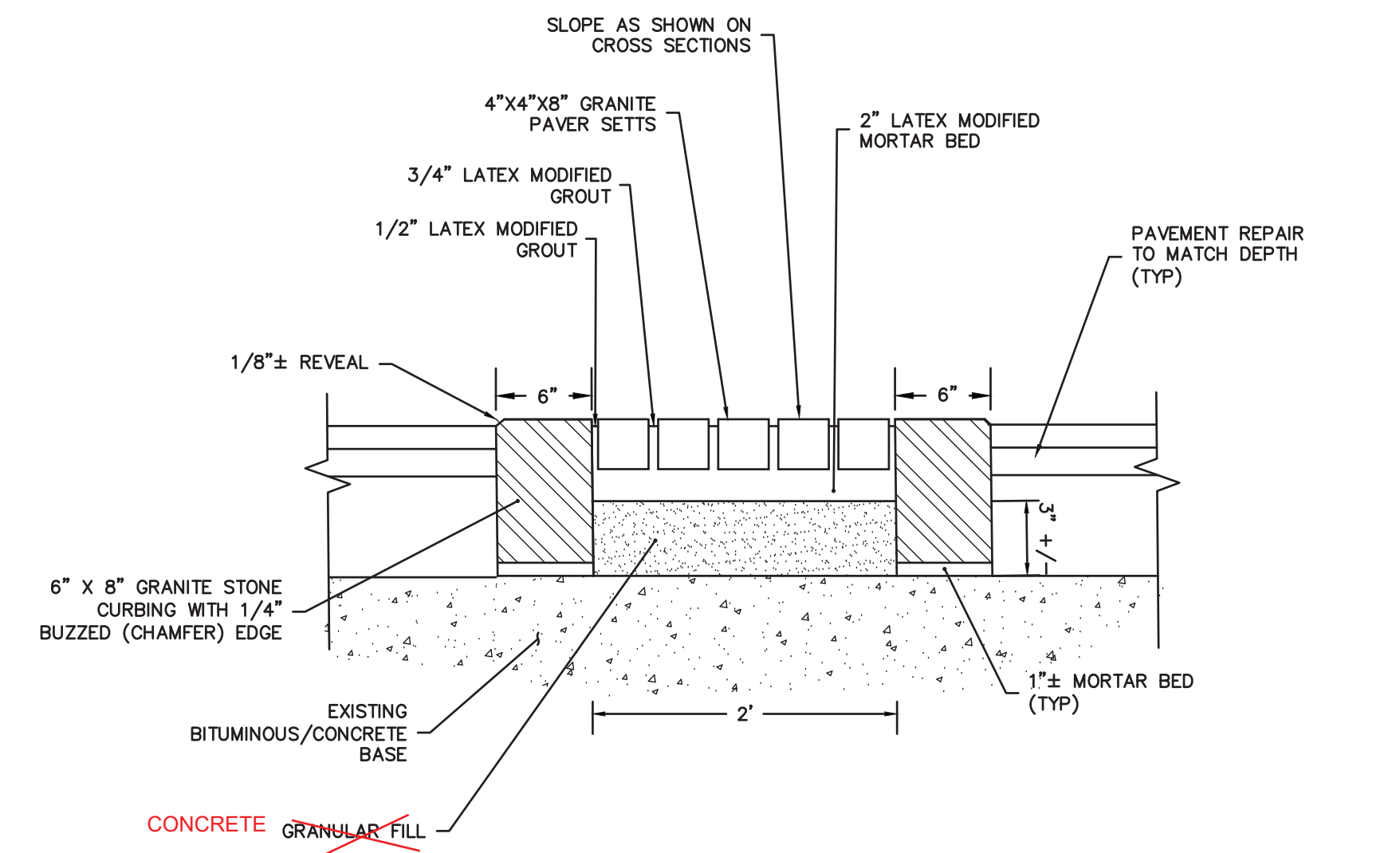
TYPICAL MEDIAN ISLAND - PLAN VIEW

SCALE: 1" = 10'



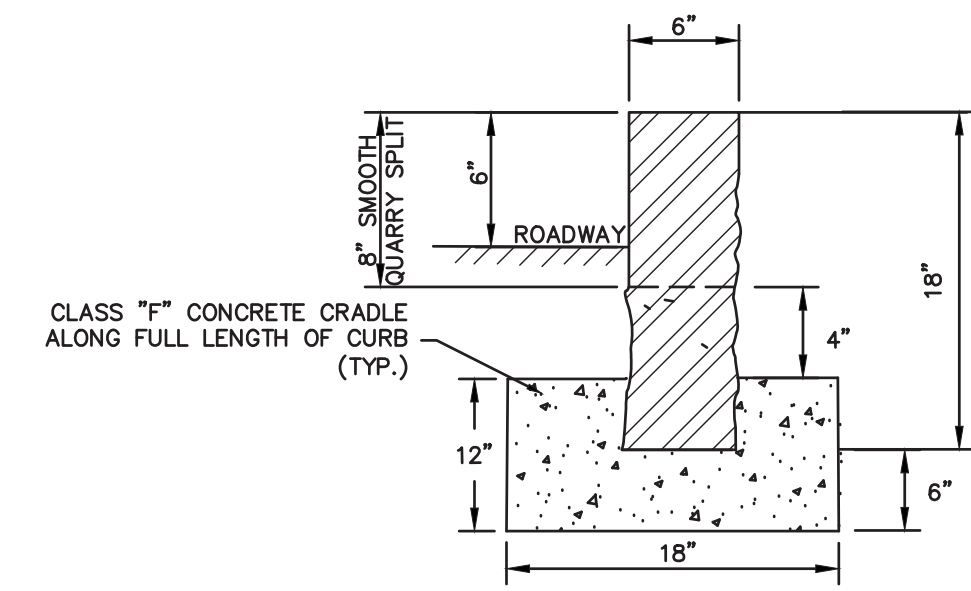
PAVEMENT TRANSITION

SCALE: NONE



3' FLUSH PAVER ISLAND (STA. 9+94 - 10+67) - SECTION VIEW

SCALE: NONE

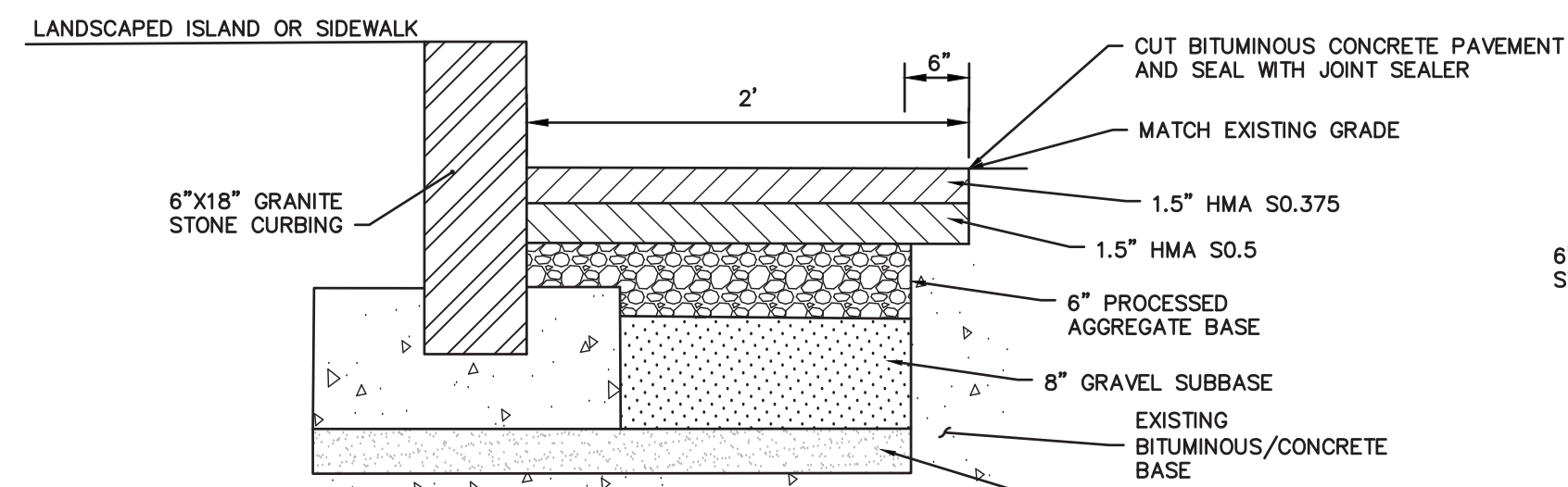


GENERAL NOTE

CURB LENGTHS SHALL CORRESPOND TO THE CONCRETE SIDEWALK TILE LENGTH, IF APPLICABLE.
 1/4\"/>

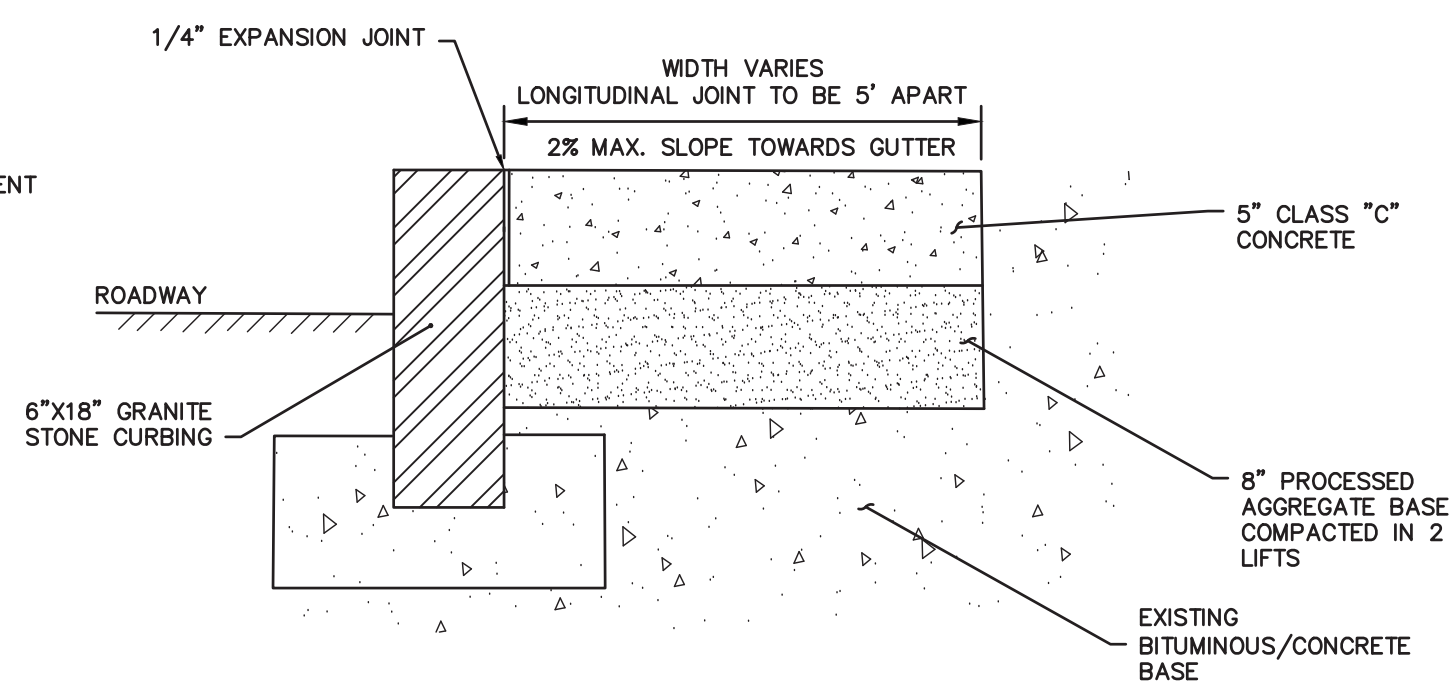
6\"/>

SCALE: NONE



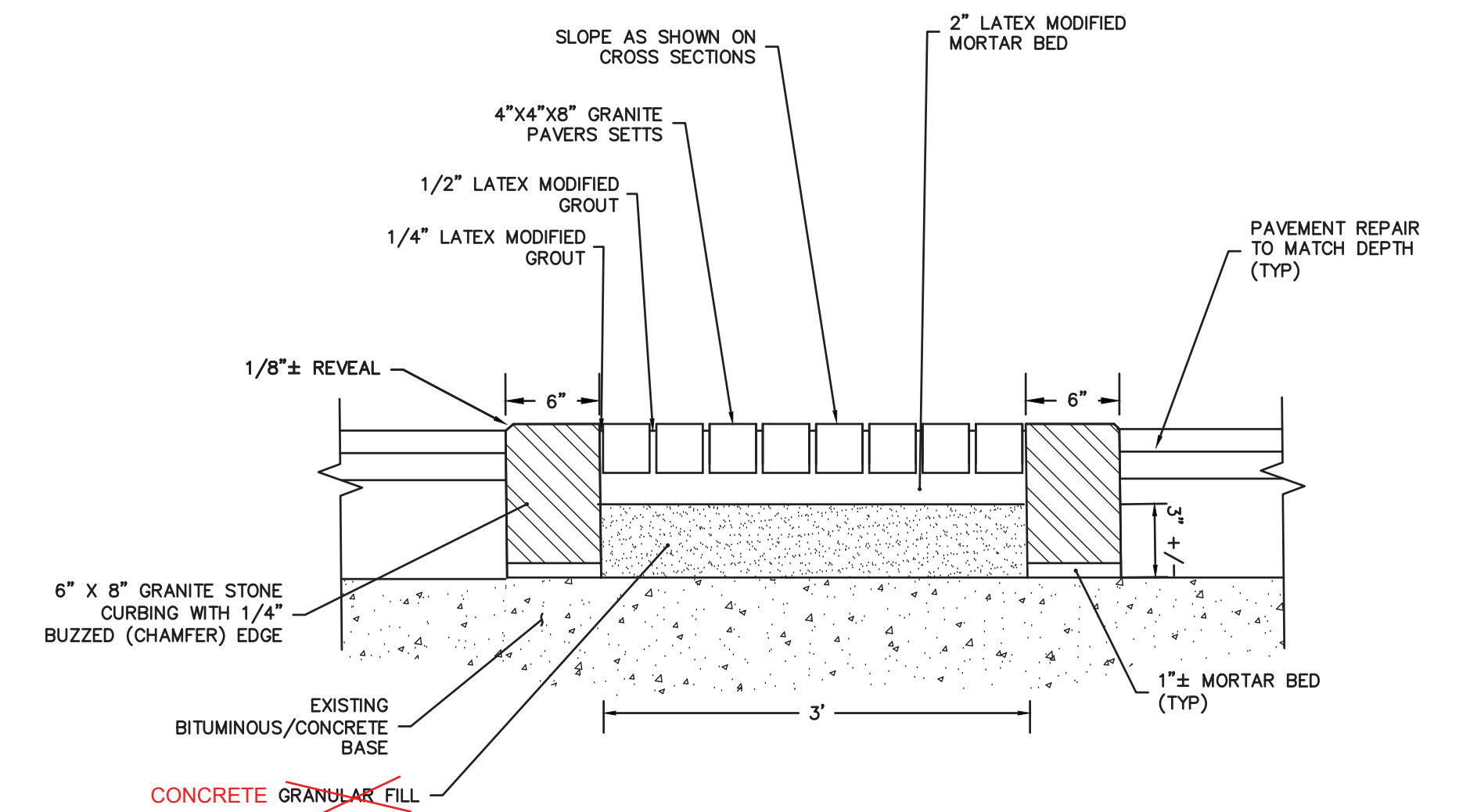
PERMANENT PAVEMENT REPAIR

SCALE: NONE



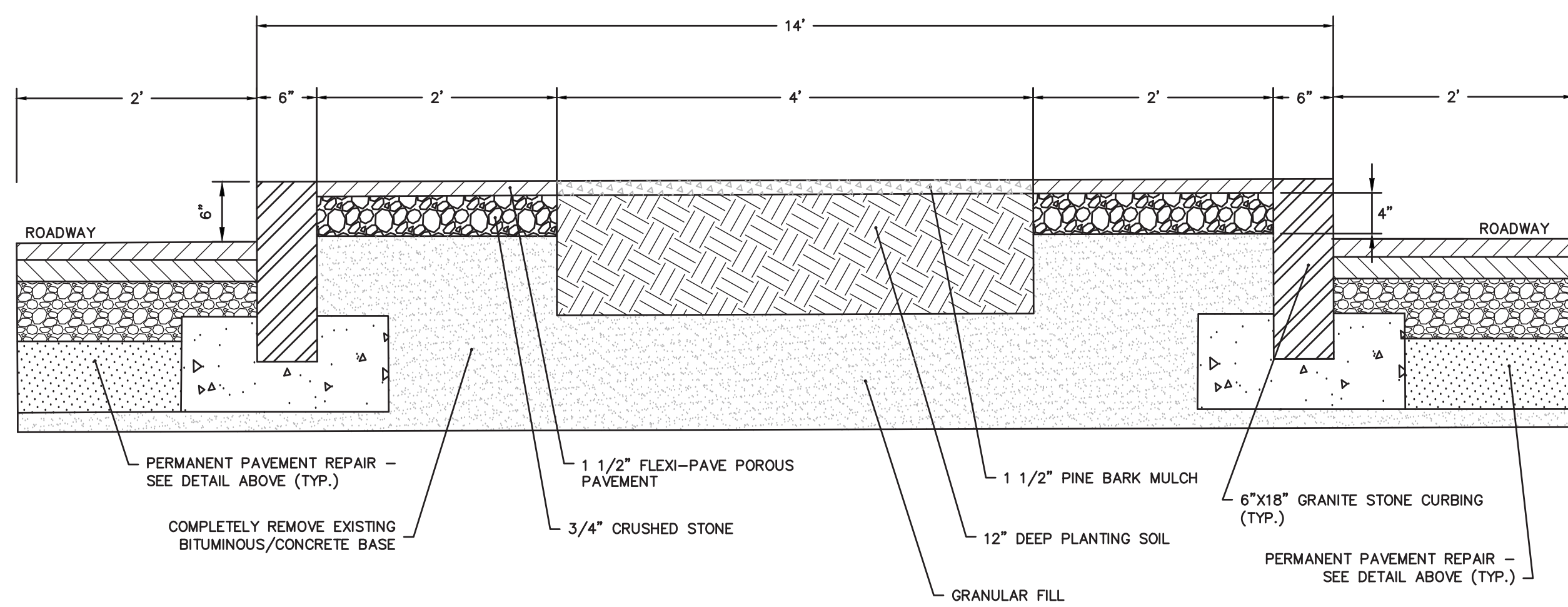
CONCRETE SIDEWALK

SCALE: NONE



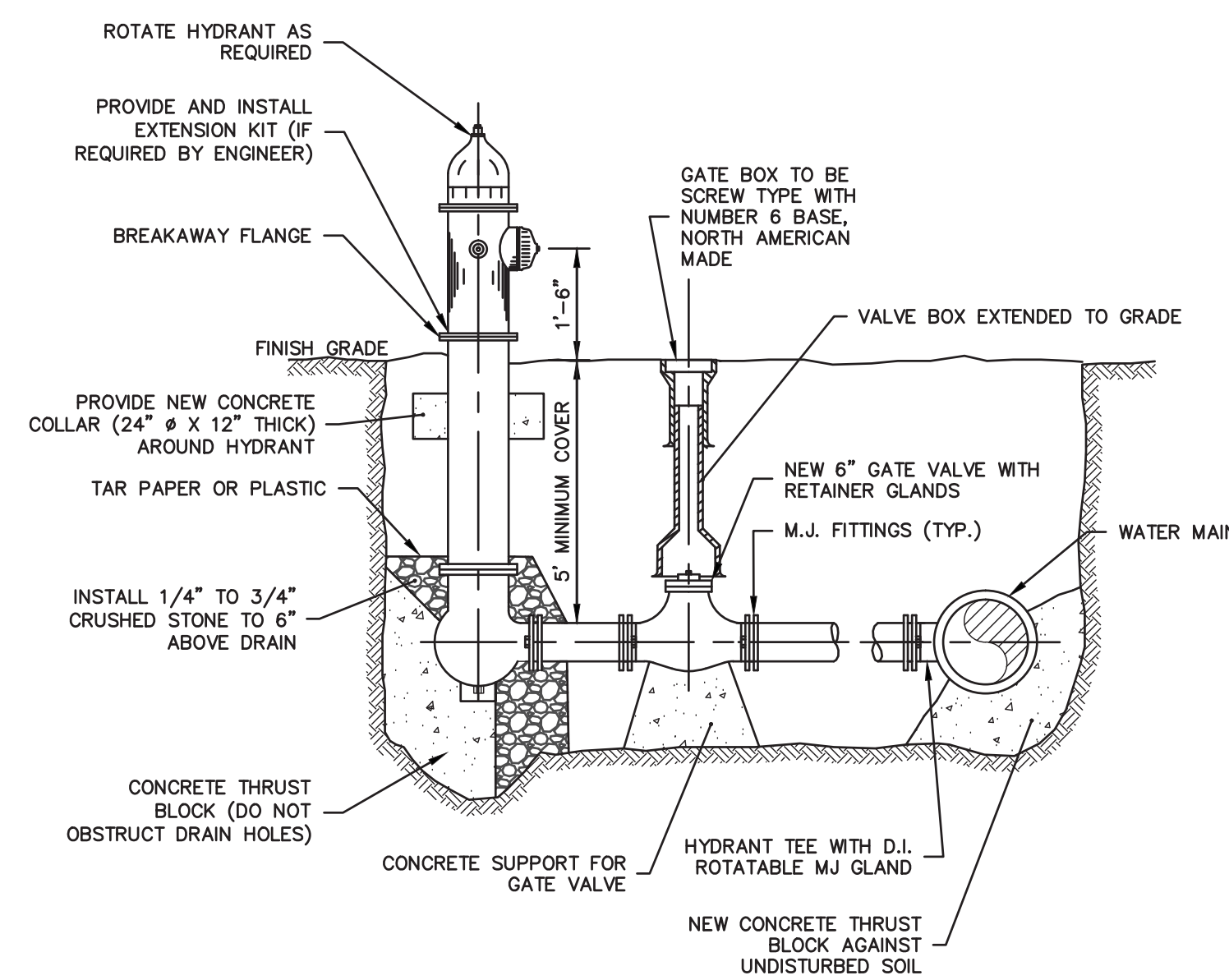
4' FLUSH PAVER ISLAND - SECTION VIEW

SCALE: NONE



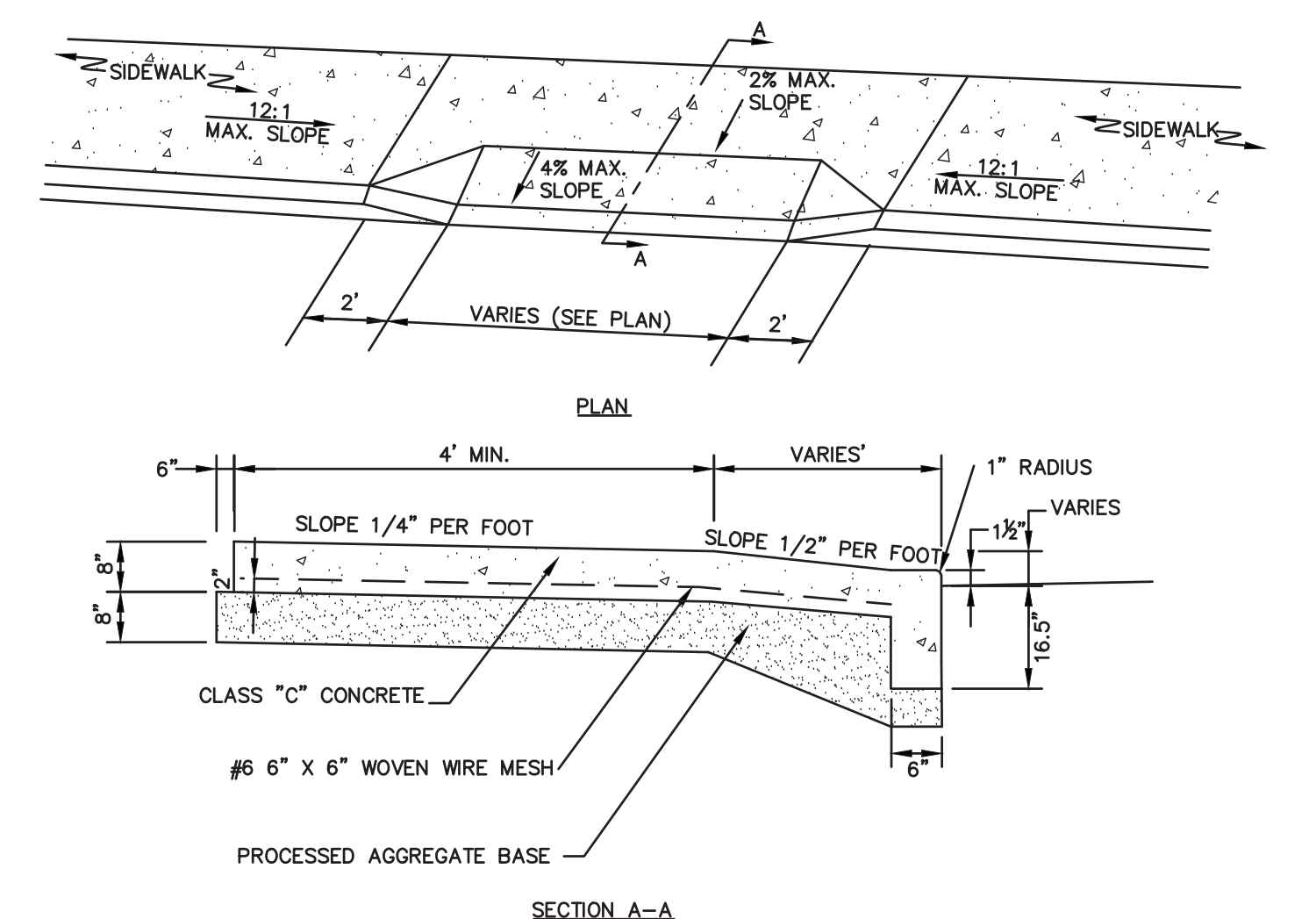
TYPICAL RAISED MEDIAN SECTION

SCALE: NONE



FIRE HYDRANT & VALVE

SCALE: NONE



CONCRETE DRIVEWAY RAMP REPLACEMENT

SCALE: NONE

REV.	DATE	REVISION DESCRIPTION	SHEET NO.

PREPARED FOR:
 CITY OF MERIDEN
 142 EAST MAIN STREET
 MERIDEN, CT 06450

SCALE: NONE



© 2017 BSC GROUP, INC.

ENGINEER: EKM

APPROVED BY: ROBERT L. PINCKNEY, PE

300 Winding Brook Drive
 Glastonbury, Connecticut 06033
 860 652 8227

No. 24354 DATE: 3-27-17



PROJECT TITLE:

PRATT STREET TRAFFIC IMPROVEMENTS

TOWN:

MERIDEN

DRAWING TITLE:

MISCELLANEOUS DETAILS

PROJECT NO.

83640.01

DRAWING NO.

MDS-02

SHEET NO.

61